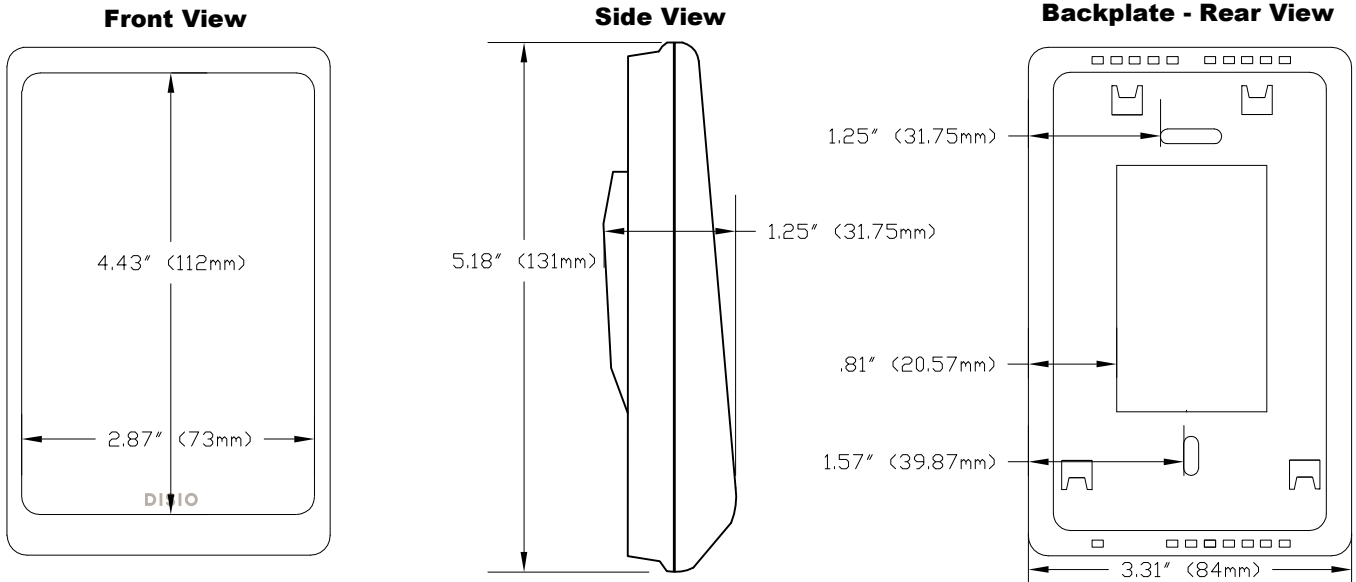


DISIO DISPLAY THERMOSTAT



POWER REQUIREMENTS:

24VAC ± 10 %, 47–63 Hz, 6VA (TERMINAL BLOCK CONNECTION)

AMBIENT RATINGS:

32 DEG F TO 122 DEG F (0 DEG C TO 50 DEG C), 10–90% Rh (NON-CONDENSING)

INPUTS:

[4] UNIVERSAL INPUTS:

- BINARY INPUT – CONTACT CLOSURE
- THERMISTOR INPUT (10k Ohm)
- VOLTAGE INPUT (0–10 VDC)

OUTPUTS:

[4] UNIVERSAL OUTPUTS:

- 24 VAC ON/OFF – (0.5 AMPS MAX) – SWITCHED HOT (Default)
- 24 VAC FLOATING POINT MODULATION
- 0–10 VDC MODULATION (10 mA)

SCREEN:

BRIGHTNESS: ON, DIM, AND OFF
 Glass .07mm thick, 113.9 x 73.2 mm

COMMUNICATION PORTS:

- [1] USB C SERVICE PORT, DISIO SETUP CONNECTION
- [1] 3-POSITION TERMINAL BLOCK
- BAUD RATE: 9600, 19200, 38400, 76800 (DEFAULT)

WEIGHT

.2 LBS (100G)

ALL METRIC DIMENSIONS () ARE SOFT CONVERTED. IMPERIAL DIMENSIONS ARE CONVERTED TO METRIC AND ROUNDED TO THE NEAREST MILLIMETER.

SCAN QR FOR
 PRODUCT MANUAL



NOTE:
 BACnet (MS/TP) Terminal Connections must be 3 wire +, -, NETCOM
 NETCOM wire MUST be connected at each device

PROJECT:		PRICE [®]	
ENGINEER:		<i>MB</i>	DISIO DISPLAY CONTROLLING THERMOSTAT 7 SEGMENT DISPLAY BACNET COMPATIBLE
CUSTOMER:		273364	
SUBMITTAL DATE:	SPEC. SYMBOL:	2022/08/03	